

Honeywell BW™ Solo

Serviceable Single-Gas Detector

The Honeywell BW™ Solo is easy to operate and service and includes an extensive selection of sensor options. It can help reduce the cost of ownership for serviceable single-gas detectors and includes a wireless option for enabling connected workers. The profile is small and lightweight, and the design is ruggedized for years of reliable service. No need to take apart the Honeywell BW™ Solo for common maintenance tasks; simply pop off the front door to replace a sensor or filter, or remove a single screw for battery replacement.

Optional wireless connectivity enables additional capabilities such as dock-less transfer of data and event logs, and real-time monitoring of worker safety.



GENERAL SPECIFICATIONS

| | |
|------------------------------|---|
| SIZE | 7.0 x 6.7 x 3.6 cm / 2.7 x 2.6 x 1.4 in. (1-Series sensor models) 7.0 x 6.7 x 4.1 cm / 2.7 x 2.6 x 1.6 in. (4-Series sensor models) |
| WEIGHT | 103 to 116 g / 3.6 to 4.1 oz., depending on installed sensor |
| OPERATING TEMPERATURE | -40 to +60° C / -40 to +140° F intrinsic safety |
| INGRESS PROTECTION | IP66/68 |
| WARRANTY | 3 years for 1-Series detectors and sensors (H ₂ S, CO, O ₂) 2 years for 4-Series detectors and sensors (1 year for NH ₃ , Cl ₂ , O ₃ , ETO, ClO ₂ sensors) |

Honeywell BW™ Solo Serviceable Single-Gas Detector

| ORDERING INFORMATION | | |
|---|----------------|---------------|
| Honeywell BW™ Solo Single-Gas Detector, Non-wireless Version | Yellow Housing | Black Housing |
| Honeywell BW™ Solo, non-wireless – chlorine (Cl ₂) | BWS-C-Y | BWS-C-B |
| Honeywell BW™ Solo, non-wireless – chlorine dioxide (ClO ₂) | BWS-V-Y | BWS-V-B |
| Honeywell BW™ Solo, non-wireless – carbon monoxide (CO) | BWS-ML-Y | BWS-ML-B |
| Honeywell BW™ Solo, non-wireless – carbon monoxide, hydrogen (h ₂) resistant (CO-H) | BWS-M2-Y | BWS-M2-B |
| Honeywell BW™ Solo, non-wireless – ethylene oxide (ETO) | BWS-E-Y | BWS-E-B |
| Honeywell BW™ Solo, non-wireless – hydrogen (H ₂) | BWS-R-Y | BWS-R-B |
| Honeywell BW™ Solo, non-wireless – hydrogen sulfide (H ₂ S) | BWS-HL-Y | BWS-HL-B |
| Honeywell BW™ Solo, non-wireless – hydrogen sulfide, extended range (H ₂ S) | BWS-H2-Y | BWS-H2-B |
| Honeywell BW™ Solo, non-wireless – hydrogen cyanide (HCN) | BWS-Z-Y | BWS-Z-B |
| Honeywell BW™ Solo, non-wireless – ammonia (NH ₃) | BWS-A-Y | BWS-A-B |
| Honeywell BW™ Solo, non-wireless – ammonia, extended range (NH ₃) | BWS-A2-Y | BWS-A2-B |
| Honeywell BW™ Solo, non-wireless – nitric oxide (NO) | BWS-N-Y | BWS-N-B |
| Honeywell BW™ Solo, non-wireless – nitrogen dioxide (NO ₂) | BWS-D-Y | BWS-D-B |
| Honeywell BW™ Solo, non-wireless – oxygen (O ₂) | BWS-XL-Y | BWS-XL-B |
| Honeywell BW™ Solo, non-wireless – ozone (O ₃) | BWS-G-Y | BWS-G-B |
| Honeywell BW™ Solo, non-wireless – phosphine (PH ₃) | BWS-P-Y | BWS-P-B |
| Honeywell BW™ Solo, non-wireless – sulfur dioxide (SO ₂) | BWS-S-Y | BWS-S-B |
| Honeywell BW™ Solo Single-Gas Detector, Wireless Version | Yellow Housing | Black Housing |
| Honeywell BW™ Solo, wireless – chlorine (Cl ₂) | BWS1-C-Y | BWS1-C-B |
| Honeywell BW™ Solo, wireless – chlorine dioxide (ClO ₂) | BWS1-V-Y | BWS1-V-B |
| Honeywell BW™ Solo, wireless – carbon monoxide (CO) | BWS1-ML-Y | BWS1-ML-B |
| Honeywell BW™ Solo, wireless – carbon monoxide, hydrogen (h ₂) resistant (CO-H) | BWS1-M2-Y | BWS1-M2-B |
| Honeywell BW™ Solo, wireless – ethylene oxide (ETO) | BWS1-E-Y | BWS1-E-B |
| Honeywell BW™ Solo, wireless – hydrogen (H ₂) | BWS1-R-Y | BWS1-R-B |
| Honeywell BW™ Solo, wireless – hydrogen sulfide (H ₂ S) | BWS1-HL-Y | BWS1-HL-B |
| Honeywell BW™ Solo, wireless – hydrogen sulfide (H ₂ S), extended range | BWS1-H2-Y | BWS1-H2-B |
| Honeywell BW™ Solo, wireless – hydrogen cyanide (HCN) | BWS1-Z-Y | BWS1-Z-B |
| Honeywell BW™ Solo, wireless – ammonia (NH ₃) | BWS1-A-Y | BWS1-A-B |
| Honeywell BW™ Solo, wireless – ammonia (NH ₃), extended range | BWS1-A2-Y | BWS1-A2-B |
| Honeywell BW™ Solo, wireless – nitric oxide (NO) | BWS1-N-Y | BWS1-N-B |
| Honeywell BW™ Solo, wireless – nitrogen dioxide (NO ₂) | BWS1-D-Y | BWS1-D-B |
| Honeywell BW™ Solo, wireless – oxygen (O ₂) | BWS1-XL-Y | BWS1-XL-B |
| Honeywell BW™ Solo, wireless – ozone (O ₃) | BWS1-G-Y | BWS1-G-B |
| Honeywell BW™ Solo, wireless – phosphine (PH ₃) | BWS1-P-Y | BWS1-P-B |
| Honeywell BW™ Solo, wireless – sulfur dioxide (SO ₂) | BWS1-S-Y | BWS1-S-B |

Honeywell BW™ Solo Serviceable Single-Gas Detector

| ORDERING INFORMATION (CONTINUED) | | |
|--|----------------|---------------|
| Honeywell BW™ Solo Lite Single-Gas Detector | Yellow Housing | Black Housing |
| Honeywell BW™ Solo Lite – chlorine (Cl ₂) | BWS2-C-Y | BWS2-C-B |
| Honeywell BW™ Solo Lite – chlorine dioxide (ClO ₂) | BWS2-V-Y | BWS2-V-B |
| Honeywell BW™ Solo Lite – carbon monoxide (CO) | BWS2-M-Y | BWS2-M-B |
| Honeywell BW™ Solo Lite – carbon monoxide, hydrogen (h ₂) resistant (CO-H) | BWS2-M2-Y | BWS2-M2-B |
| Honeywell BW™ Solo Lite – ethylene oxide (ETO) | BWS2-E-Y | BWS2-E-B |
| Honeywell BW™ Solo Lite – hydrogen (H ₂) | BWS2-R-Y | BWS2-R-B |
| Honeywell BW™ Solo Lite – hydrogen sulfide (H ₂ S) | BWS2-H-Y | BWS2-H-B |
| Honeywell BW™ Solo Lite – hydrogen sulfide (H ₂ S), extended range | BWS2-H2-Y | BWS2-H2-B |
| Honeywell BW™ Solo Lite – hydrogen cyanide (HCN) | BWS2-Z-Y | BWS2-Z-B |
| Honeywell BW™ Solo Lite – ammonia (NH ₃) | BWS2-A-Y | BWS2-A-B |
| Honeywell BW™ Solo Lite – ammonia (NH ₃), extended range | BWS2-A2-Y | BWS2-A2-B |
| Honeywell BW™ Solo Lite – nitric oxide (NO) | BWS2-N-Y | BWS2-N-B |
| Honeywell BW™ Solo Lite – nitrogen dioxide (NO ₂) | BWS2-D-Y | BWS2-D-B |
| Honeywell BW™ Solo Lite – oxygen (O ₂) | BWS2-X-Y | BWS2-X-B |
| Honeywell BW™ Solo Lite – ozone (O ₃) | BWS2-G-Y | BWS2-G-B |
| Honeywell BW™ Solo Lite – phosphine (PH ₃) | BWS2-P-Y | BWS2-P-B |
| Honeywell BW™ Solo Lite – sulfur dioxide (SO ₂) | BWS2-S-Y | BWS2-S-B |

| Honeywell IntelliDoX® Automated Instrument Management System | Order Number |
|--|--------------|
| Honeywell IntelliDoX® docking station for Honeywell BW™ Solo | DX-SOLO |
| Honeywell IntelliDoX® Nest for Honeywell BW™ Solo | DX-NEST-SOLO |
| Honeywell IntelliDoX® enabler kit, EU version (Europe) | DX-ENBL-UK |
| Honeywell IntelliDoX® enabler kit, UK version (United Kingdom) | DX-ENBL-EU |
| Honeywell IntelliDoX® enabler kit, NA version (North America) | DX-ENBL-NA |

Note: One Honeywell IntelliDoX® enabler kit is required for each docking system. Each docking system can support up to 5 Honeywell IntelliDoX® modules. Honeywell IntelliDoX® enabler kit includes power supply with region-specific AC power cord, ethernet cable, inlet (purge) filter assembly, 1 m / 3 ft. calibration gas tubing, 1 m / 3 ft. m purge gas tubing, 4.5 m / 15 ft. exhaust tubing and quick connect fittings.

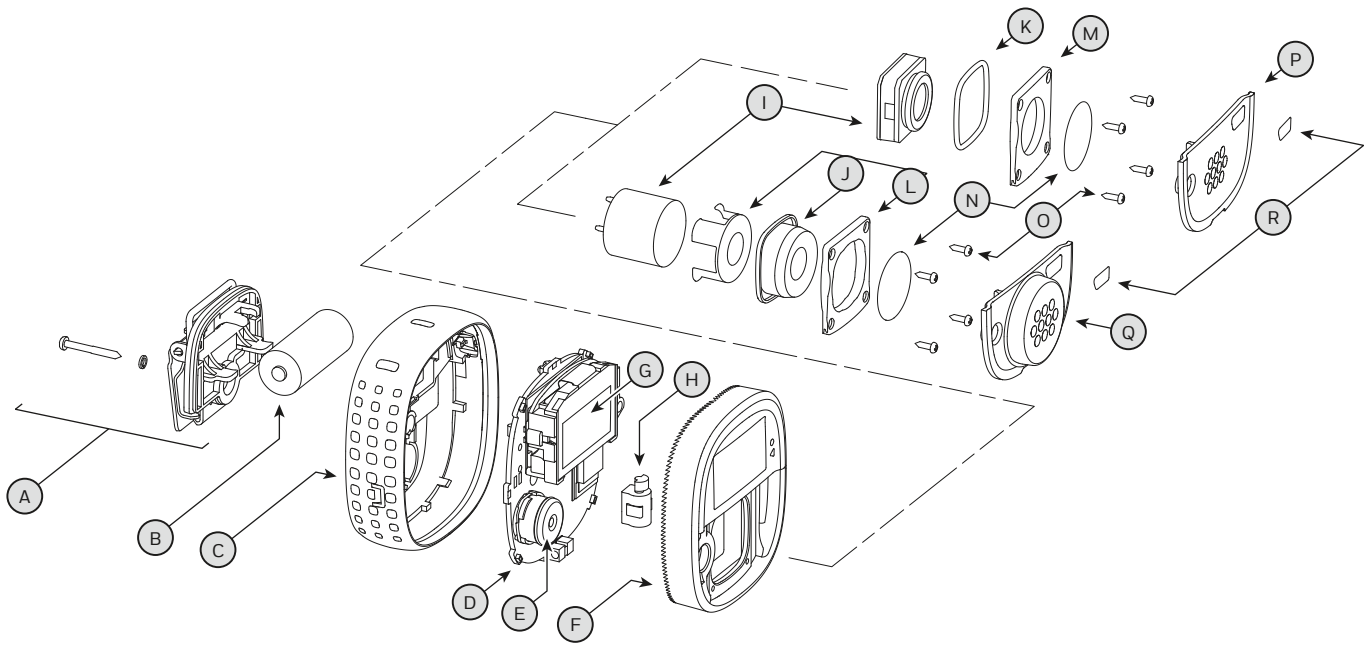
Honeywell BW™ Solo Serviceable Single-Gas Detector

ORDERING INFORMATION (CONTINUED)

| Replacement Batteries & Accessories | Order Number |
|--|--------------|
| Honeywell BW™ Solo replacement battery | BWS-BAT01 |
| Honeywell BW™ Solo test/calibration cap | BWS-TC-1 |
| Neck strap with safety release | GA-NS-1 |
| Short strap (15.2 cm / 6 in.) | GA-LY-1 |
| Extension strap (1.2 m / 4 ft.) | GA-ES-1 |
| Chest harness | GA-CH-2 |
| Manual aspirator pump kit with probe (0.3 m / 1 ft.) | GA-AS02 |

| Replacement Sensors | Order Number |
|--|--------------|
| Replacement carbon monoxide (CO) sensor (1-Series) | SR-M1-1S |
| Replacement hydrogen sulfide (H ₂ S) sensor (1-Series) | SR-H1-1S |
| Replacement oxygen (O ₂) sensor (1-Series) | SR-X1-1S |
| Replacement chlorine (Cl ₂) sensor (4-Series) | PS-RC10 |
| Replacement chlorine dioxide (ClO ₂) sensor (4-Series) | SR-V04 |
| Replacement carbon monoxide, hydrogen (h ₂) resistant (CO-H) sensor (4-Series) | 54-47-19 |
| Replacement ethylene oxide (ETO) sensor (4-Series) | SR-ER04 |
| Replacement hydrogen (H ₂) sensor (4-Series) | SR-RR04 |
| Replacement hydrogen sulfide (H ₂ S), extended range sensor (4-Series) | PS-RH04S |
| Replacement hydrogen cyanide (HCN) sensor (4-Series) | SR-ZR04 |
| Replacement ammonia (NH ₃) sensor (4-Series) | SR-A04 |
| Replacement ammonia (NH ₃), extended range sensor (4-Series) | SR-A204 |
| Replacement nitric oxide (NO) sensor (4-Series) | SR-NR04 |
| Replacement nitrogen dioxide (NO ₂) sensor (4-Series) | PS-RD04 |
| Replacement ozone (O ₃) sensor (4-Series) | SR-G04 |
| Replacement phosphine (PH ₃) sensor (4-Series) | SR-P04 |
| Replacement sulfur dioxide (SO ₂) sensor (4-Series) | PS-RS04 |
| Replacement oxygen (O ₂) sensor (4-Series) | SR-X2V |
| Replacement hydrogen Sulfide (H ₂ S) sensor (4-Series) | SR-H-4S |
| Replacement carbon monoxide (CO) sensor (4-Series) | SR-M-4S |

Honeywell BW™ Solo Serviceable Single-Gas Detector



Note: For service and training, please refer to the Training and Service Information sections of the current full price guide.

| Legend | Service Parts | Order Number | Minimum Service Training Level |
|--------|---|-----------------|--------------------------------|
| A | Replacement battery cover kit, non-wireless | BWS-BH-1 | - |
| A | Replacement battery cover kit, wireless | BWS-BH-2 | - |
| B | Replacement battery | BWS-BAT01 | - |
| C | Replacement back shell, yellow | BWS-BC1 | Level 1 |
| C | Replacement back shell, black | BWS-BC1B | Level 1 |
| D | Replacement PCB, see page 6 | | Level 2 |
| E | Replacement buzzer sealing ring | BWS-HS-1 | Level 1 |
| F | Replacement front shell | BWS-FC1 | Level 1 |
| G | Replacement LCD | BWS-LCD | Level 1 |
| H | Replacement vibrator | GA-VM-2 | Level 1 |
| I | Replacement sensors, see page 4 | | Level 1 |
| J | Replacement 4-Series sensor sealing rings (kit of 10) | BWS-ORING-4S-K1 | Level 1 |
| K | Replacement 1-Series sensor o-rings (kit of 10) | BWS-ORING-1S-K1 | Level 1 |
| L | Replacement 4-Series sensor fixer kit | BWS-4SC-1 | Level 1 |
| M | Replacement 1-Series sensor fixer kit | BWS-WSC-1 | Level 1 |
| N | Replacement sensor screens (kit of 10) | BWS-SS | - |
| O | Replacement sensor fixer screws (kit of 25) | BWS-SCREW-K1 | Level 1 |
| P | Replacement 4-Series front cover | BWS-4C-1 | - |
| Q | Replacement 1-Series front cover | BWS-WC-1 | - |
| R | Replacement gas type label, see page 7 | | - |

Note: Please refer to the instrument's documentation (shipped with the product or available at www.honeywellanalytics.com) for complete instructions on common service procedures. Improper servicing or maintenance may affect warranty eligibility. Honeywell assumes no liability for damages resulting from improper servicing or maintenance.

Honeywell BW™ Solo Serviceable Single-Gas Detector

| ORDERING INFORMATION (CONTINUED) | |
|---|---------------|
| Replacement PCBs | Order Number |
| Replacement PCB, chlorine (Cl ₂), non-wireless | BWS-C-PCB1 |
| Replacement PCB, chlorine dioxide (ClO ₂), non-wireless | BWS-V-PCB1 |
| Replacement PCB, carbon monoxide (CO), non-wireless | BWS-ML-PCB1 |
| Replacement PCB, carbon monoxide, hydrogen (H ₂) resistant (CO-H), non-wireless | BWS-M2-PCB1 |
| Replacement PCB, ethylene oxide (ETO), non-wireless | BWS-E-PCB1 |
| Replacement PCB, hydrogen (H ₂), non-wireless | BWS-R-PCB1 |
| Replacement PCB, hydrogen sulfide (H ₂ S), non-wireless | BWS-HL-PCB1 |
| Replacement PCB, hydrogen sulfide (H ₂ S), extended range, non-wireless | BWS-H-2-PCB1 |
| Replacement PCB, hydrogen cyanide (HCN), non-wireless | BWS-Z-PCB1 |
| Replacement PCB, ammonia (NH ₃), non-wireless | BWS-A-PCB1 |
| Replacement PCB, ammonia (NH ₃), extended range, non-wireless | BWS-A2-PCB1 |
| Replacement PCB, nitric oxide (NO), non-wireless | BWS-N-PCB1 |
| Replacement PCB, nitrogen dioxide (NO ₂), non-wireless | BWS-D-PCB1 |
| Replacement PCB, oxygen (O ₂), non-wireless | BWS-XL-PCB1 |
| Replacement PCB, ozone (O ₃), non-wireless | BWS-G-PCB1 |
| Replacement PCB, phosphine (PH ₃), non-wireless | BWS-P-PCB1 |
| Replacement PCB, sulfur dioxide (SO ₂), non-wireless | BWS-S-PCB1 |
| Replacement PCB, chlorine (Cl ₂), wireless | BWS1-C-PCB1 |
| Replacement PCB, chlorine dioxide (ClO ₂), wireless | BWS1-V-PCB1 |
| Replacement PCB, carbon monoxide (CO), wireless | BWS1-ML-PCB1 |
| Replacement PCB, carbon monoxide, hydrogen (H ₂) resistant (CO-H), wireless | BWS1-M2-PCB1 |
| Replacement PCB, ethylene oxide (ETO), wireless | BWS1-E-PCB1 |
| Replacement PCB, hydrogen (H ₂), wireless | BWS1-R-PCB1 |
| Replacement PCB, hydrogen sulfide (H ₂ S), wireless | BWS1-HL-PCB1 |
| Replacement PCB, hydrogen sulfide (H ₂ S), extended range, wireless | BWS1-H-2-PCB1 |
| Replacement PCB, hydrogen cyanide (HCN), wireless | BWS1-Z-PCB1 |
| Replacement PCB, ammonia (NH ₃), wireless | BWS1-A-PCB1 |
| Replacement PCB, ammonia (NH ₃), extended range, wireless | BWS1-A2-PCB1 |
| Replacement PCB, nitric oxide (NO), wireless | BWS1-N-PCB1 |
| Replacement PCB, nitrogen dioxide (NO ₂), wireless | BWS1-D-PCB1 |
| Replacement PCB, oxygen (O ₂), wireless | BWS1-XL-PCB1 |
| Replacement PCB, ozone (O ₃), wireless | BWS1-G-PCB1 |
| Replacement PCB, phosphine (PH ₃), wireless | BWS1-P-PCB1 |
| Replacement PCB, sulfur dioxide (SO ₂), wireless | BWS1-S-PCB1 |
| Replacement PCB, chlorine (Cl ₂), Lite | BWS2-C-PCB1 |
| Replacement PCB, chlorine dioxide (ClO ₂), Lite | BWS2-V-PCB1 |
| Replacement PCB, carbon monoxide (CO), Lite | BWS2-M-PCB1 |
| Replacement PCB, carbon monoxide, hydrogen (H ₂) resistant (CO-H), Lite | BWS2-M2-PCB1 |
| Replacement PCB, ethylene oxide (ETO), Lite | BWS2-E-PCB1 |
| Replacement PCB, hydrogen (H ₂), Lite | BWS2-R-PCB1 |
| Replacement PCB, hydrogen sulfide (H ₂ S), Lite | BWS2-H-PCB1 |
| Replacement PCB, hydrogen sulfide (H ₂ S), extended range, Lite | BWS2-H2-PCB1 |
| Replacement PCB, hydrogen cyanide (HCN), Lite | BWS2-Z-PCB1 |
| Replacement PCB, ammonia (NH ₃), Lite | BWS2-A-PCB1 |
| Replacement PCB, ammonia (NH ₃), extended range, Lite | BWS2-A2-PCB1 |
| Replacement PCB, nitric oxide (NO), Lite | BWS2-N-PCB1 |
| Replacement PCB, nitrogen dioxide (NO ₂), Lite | BWS2-D-PCB1 |
| Replacement PCB, oxygen (O ₂), Lite | BWS2-X-PCB1 |
| Replacement PCB, ozone (O ₃), Lite | BWS2-G-PCB1 |
| Replacement PCB, phosphine (PH ₃), Lite | BWS2-P-PCB1 |
| Replacement PCB, sulfur dioxide (SO ₂), Lite | BWS2-S-PCB1 |

Honeywell BW™ Solo Serviceable Single-Gas Detector

ORDERING INFORMATION (CONTINUED)

| Replacement Gas Type Labels | Order Number |
|---|--------------|
| Replacement gas label, chlorine (Cl ₂) | BWS-C-LABEL |
| Replacement gas label, chlorine dioxide (ClO ₂) | BWS-V-LABEL |
| Replacement gas label, carbon monoxide (CO) | BWS-M-LABEL |
| Replacement gas label, carbon monoxide, hydrogen (h ₂) resistant (CO-H) | BWS-M2-LABEL |
| Replacement gas label, ethylene oxide (ETO) | BWS-E-LABEL |
| Replacement gas label, hydrogen (H ₂) | BWS-R-LABEL |
| Replacement gas label, hydrogen sulfide (H ₂ S) | BWS-H-LABEL |
| Replacement gas label, hydrogen cyanide (HCN) | BWS-Z-LABEL |
| Replacement gas label, ammonia (NH ₃) | BWS-A-LABEL |
| Replacement gas label, nitric oxide (NO) | BWS-N-LABEL |
| Replacement gas label, nitrogen dioxide (NO ₂) | BWS-D-LABEL |
| Replacement gas label, oxygen (O ₂) | BWS-X-LABEL |
| Replacement gas label, ozone (O ₃) | BWS-G-LABEL |
| Replacement gas label, phosphine (PH ₃) | BWS-P-LABEL |
| Replacement gas label, sulfur dioxide (SO ₂) | BWS-S-LABEL |

For more information

www.honeywellanalytics.com